

PRODUCT INFORMATION PACKET



Model No: C6T17EB38A

Catalog No: 117856.00

..1/3HP..1800RPM.56.EPNV.230/460V.3PH.60HZ.CONT.40C.1.0SF.RIGID.....EX-PROOF.....

Explosion Proof



Regal and Leeson are trademarks of Regal Beloit Corporation or one of its affiliated companies.

©2018 Regal Beloit Corporation, All Rights Reserved. MC017097E



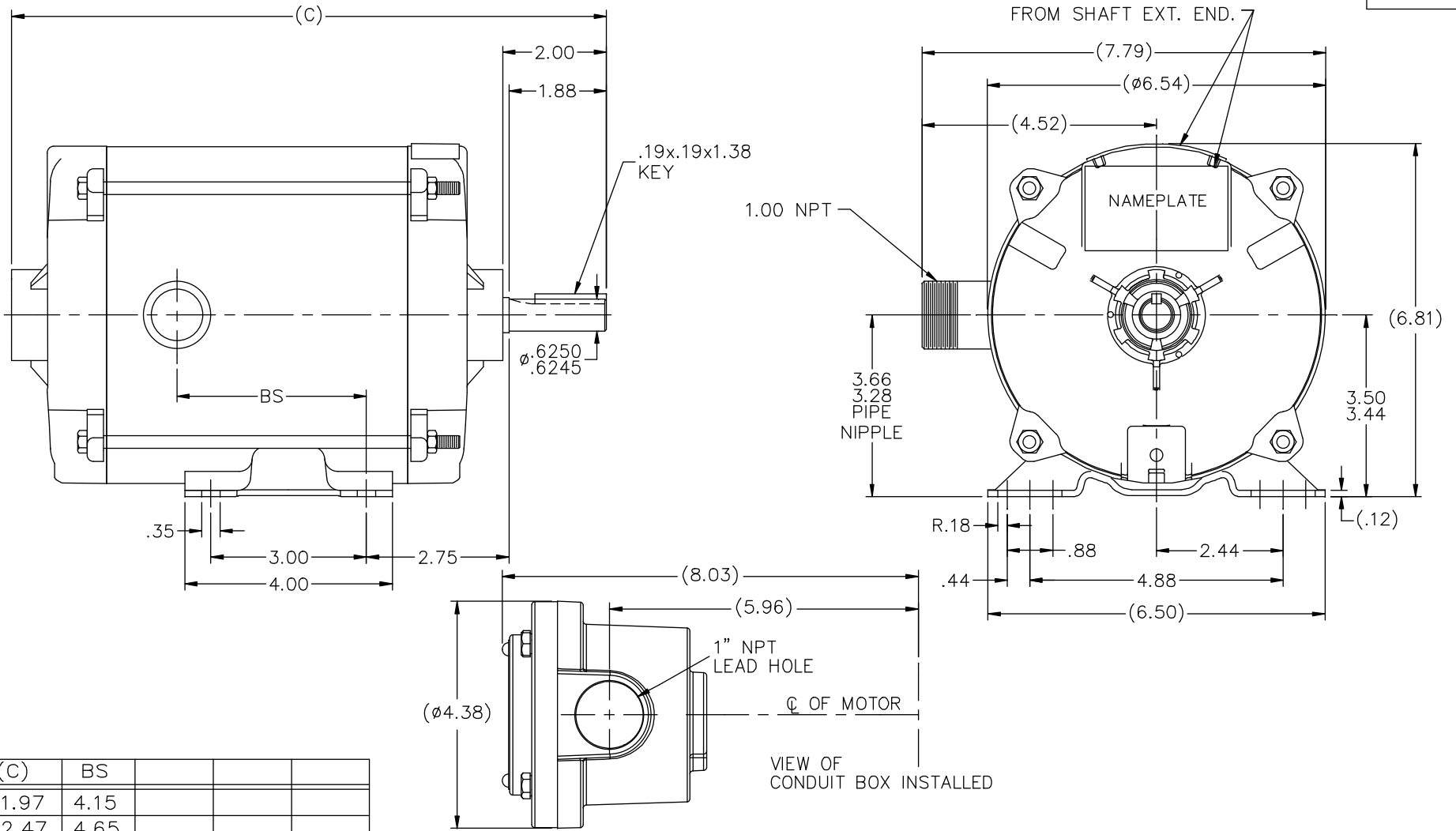


Nameplate Specifications

Output HP	0.33 Hp	Output KW	0.25 kW
Frequency	60 Hz	Voltage	208-230/460 V
Current	1.2-1.2/0.60 A	Speed	1725 rpm
Service Factor	1	Phase	3
Efficiency	74.5 %	Duty	Continuous
Insulation Class	B	Design Code	B
KVA Code	K	Frame	56
Enclosure	Explosion Proof Non Ventilated	Overload Protector	No
Ambient Temperature	40 °C	Drive End Bearing Size	6203
Opp Drive End Bearing Size	6203	UL	Recognized
CSA	Y	CE	N
IP Code	54		

Technical Specifications

Electrical Type	Squirrel Cage Inverter Rated	Starting Method	Line Or Inverter
Poles	4	Rotation	Reversible
Mounting	Rigid base	Motor Orientation	HORIZONTAL
Drive End Bearing	BALL	Opp Drive End Bearing	BALL
Frame Material	Rolled Steel	Shaft Type	NEMA 56
Overall Length	11.97 in	Frame Length	6.31 in
Shaft Diameter	0.625 in	Shaft Extension	1.88 in
Assembly/Box Mounting	F1 ONLY		
Outline Drawing	B-104196LE-631	Connection Diagram	A-EE7308T-LE

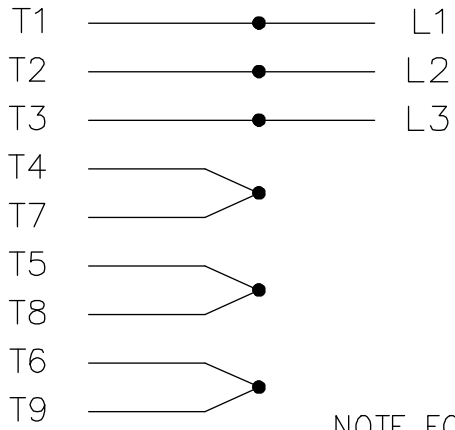


DASH	(C)	BS		
631	11.97	4.15		
681	12.47	4.65		
731	12.97	5.15		
781	13.47	5.65		
831	13.97	6.15		
881	14.47	6.65		
931	14.97	7.15		
981	15.47	7.65		

		TOLERANCES UNLESS SPECIFIED		LEESON ELECTRIC MOTORS GEARMOTORS AND DRIVES		DRAWN RJW 06-22-2007	
		DEC.	INCHES			CHK	ML 06-22-2007
		.X	±.1			APPD	GK 06-22-2007
		.XX	±.03	TITLE OUTLINE		SCALE 17=32	
		.XXX	±.005	56 FRAME - EXP. PR. - TENV - 1∅ & 3∅		REF	
1	COND. BOX INSTALLED VIEW UPDATED PER ECR-0044571	UD	10/15/13	ST	.XXXX ±.0005	MAT'L.	
NO.	REVISION	BY & DATE	CHK	ANG	±7'30"	FINISH	
THIS DRAWING IN DESIGN AND DETAIL IS OUR PROPERTY AND MUST NOT BE USED EXCEPT IN CONNECTION WITH OUR WORK ALL RIGHTS OF DESIGN AND INVENTION ARE RESERVED THIS IS AN ELECTRONICALLY GENERATED DOCUMENT - DO NOT SCALE THIS PRINT				RFP	06-22-2007	CAD FILE	104196LE
				DIST	WP	SIZE	DRAWING NO. PAGE OF REV.
						B	104196LE 1

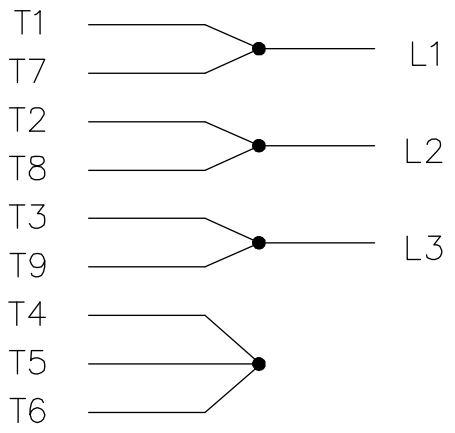
THREE PHASE
DUAL VOLTAGE MOTOR

HIGH VOLTAGE

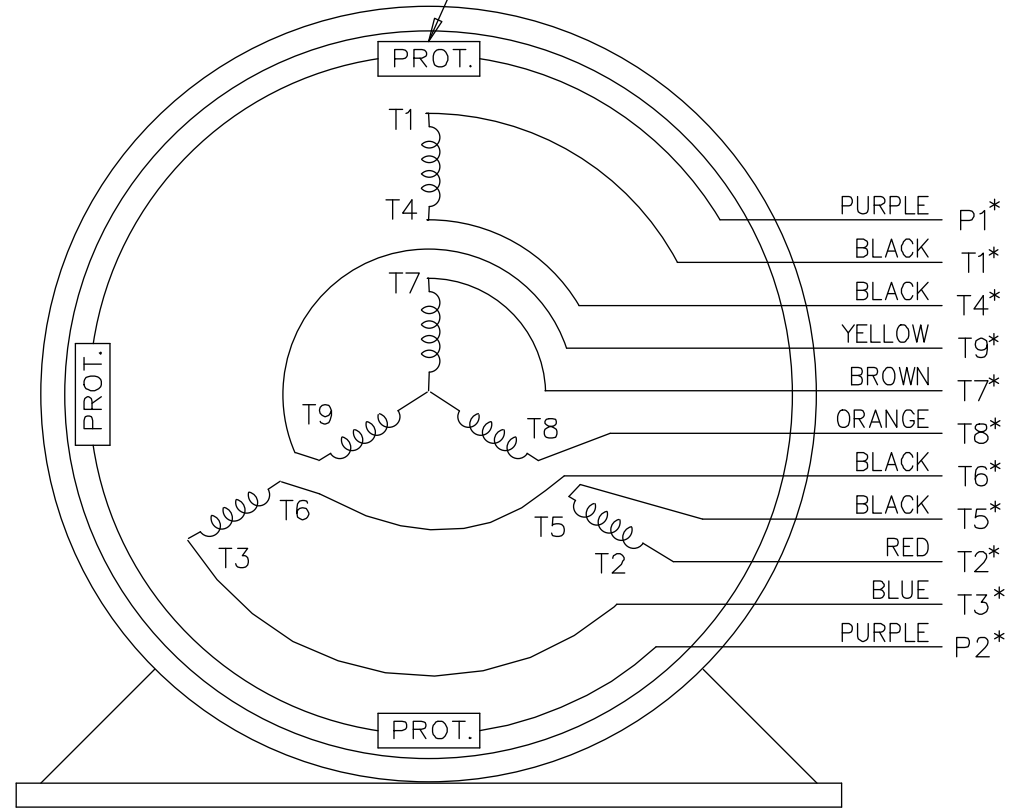


NOTE FOR FACTORY USE ONLY:
 TO SURGE TEST FOR COMMON CONNECT:
 HIGH VOLT: CONNECT P1 TO T1
 THEN P2 TO L1
 LOW VOLT: CONNECT P1 TO T1 & T7,
 THEN P2 TO L1

LOW VOLTAGE



THREMO-PROTECTORS
CONNECTED IN SERIES.



VIEW OF TERMINAL END

* USE LEADS AS PER PLANT STANDARD IRRWSPECTIVE OF THEIR COLOUR.

NO.	REVISION	BY & DATE	CHK	ANG	TOLERANCES UNLESS SPECIFIED		FINISH	DRAWING NO.	PAGE OF	REV.	
					DEC.	INCHES					
05	ADDED * NOTE PER ECN # 26921	UD 01-30-2013	JD	DEC.	INCHES						
04	ADDED COLORS TO "T & P" LEADS CN 40494	MSG 08-08-2006	ML	.X	±.1						
03	RE-ISSUE	NJS 04-21-2004	JET	.XX	±.02						
02	REDRAWN	TAT 04-20-2004	ML	.XXX	±.005						
01	NEW DRAWING CN 34708	TJB 05-08-2002	ML	.XXXX	±.0005						
THIS DRAWING IN DESIGN AND DETAIL IS OUR PROPERTY AND MUST NOT BE USED EXCEPT IN CONNECTION WITH OUR WORK ALL RIGHTS OF DESIGN AND INVENTION ARE RESERVED THIS IS AN ELECTRONICALLY GENERATED DOCUMENT - DO NOT SCALE THIS PRINT							RFP	CAD FILE EE7308T_LE	SIZE A	DRAWING NO. EE7308T-LE	PAGE OF 05
							DIST LB-WP-LE				



ELECTRIC MOTORS
GEARMOTORS
AND DRIVES

TITLE CONNECTION DIAGRAM
3 PHASE - DUAL VOLTAGE MOTOR

DRAWN	TJB	05-07-2002
CHK	ML	05-08-2002
APPD	TB	05-08-2002
SCALE	1=1	
REF		
FMF		
PREV		



P.O. BOX 8003
WAUSAU, WI 54401-8003
PH. 715-675-3311

DATA VOLTS: 460

CERTIFICATION DATA SHEET

CONN. DIAGRAM: A-EET7308T-LE
OUTLINE: B-104196LE-631
WINDING: ZT493

R6 3

CAT #: 117856.00

TYPICAL MOTOR PERFORMANCE DATA

HP	KW	SYNC RPM	FL RPM	FRAME	ENCLOSURE	TYPE	KVA CODE	DESIGN	
0.33	0.25	1800	1725	56	EPNV	TTR	K	B	
PH	HZ	VOLTS	AMPS	START TYPE	DUTY	INSL	S.F.	AMB	ELEV.
3	60/50	208-230/460#190/380	1.2-1.2/.68/1.1/56	ACROSS THE LINE	CONT	B	1.15	40	3300
	F.L. EFF	74.5	3/4 LD EFF	72.5	1/2 LD EFF	67.5	GTD EFF		ELECT. TYPE
	F.L. PF	71.0	3/4 LD PF	64.0	1/2 LD PF	52.0	71.5		SO CAGE IND RUN
	F.L. TORQUE	LR AMPS @ 460 V	L.R. TORQUE		B.D. TORQUE		F.L. RISE (°C)		
	1.00 LB-FT	3.6	3.0 LB-FT	300%	3.8 LB-FT	380%	35		
	PRESSURE @ 3	POWER	ROTOR WK²	MAX. LOAD WK²	SAFE STALL TIME	STARTS/HOUR	MOTOR WGT		
	60 DBA	69 DBA	0.04 LB-FT²	2 LB-FT²	15 SEC.	2	21 LB.		

*** SUPPLEMENTAL INFORMATION ***

DE BRACKET TYPE	ODE BRACKET TYPE	MOUNT TYPE	MOTOR ORIENTATION	SEVERE DUTY	HAZARDOUS LOCATION	DRIP COVER	SCREENS	PAINT
STANDARD	STANDARD	RIGID	HORIZONTAL	NO	DEF CL I GR C&D CL II GR	NO	NONE	JE - LEESON (ENAM)
BEARINGS	GREASE	SHAFT TYPE	SPECIAL DE	SPECIAL ODE	SHAFT	MATERIAL	FRAME MATERIAL	
DE ODE	POLYREX EM	STANDARD 56	NONE	NONE	1144 STRESSPROOF (C-223)	ROLLED STEEL		
BALL BALL								
6203	6203							
THERMOSTATS	PROTECTORS	WDG RTD's	BRG RTD's	THERMISTORS	CONTROL	SPACE HEATERS		
TSTATS (N/C)	NOT	NONE	NONE	NONE	FALSE	NA		
R1 (ohms/ph)	R2 (ohms/ph)	X1 (ohms/ph)	X2 (ohms/ph)	Xm (ohms/ph)	VIBRATION (in/sec)	FLOAT		
34.572	24.08	36.55	24.252	675.96	0.150	ODE		

* N O T E S	INVERTER TORQUE: NONE INV. HP SPEED RANGE: NONE
	ENCODER: NONE
	BRAKE: NONE
	FT-LB: NONE
	VOLTAGE: NONE
	UL: Y-(LEESON UL REC)

DATE:	1/29/2018	HZ:	
-------	-----------	-----	--



Motor Load Data						
Load	0%	25%	50%	75%	100%	LR
Current (Amps)	0.40	0.43	0.45	0.50	0.60	3.6
Torque (ft-lb)	0.00	0.20	0.50	0.75	1.00	3.0
RPM	1800	1780	1755	1735	1725	0
Efficiency (%)		44.0	67.5	72.5	74.5	
P.F. (%)	21.0	33.5	52.0	64.0	71.0	74.5

Motor Speed Data						Information Block		
	LR	Pull-Up	BD	Rated	Idle	HP	Sync. RPM	Frame
Speed (RPM)	0	320	1300	1725	1800	0.3	1800	56
Current (Amps)	3.6	3.5	2.50	0.60	0.40			EPNV
Torque (ft-lb)	3.0	2.90	3.8	1.00	0.00			TTR

Construction	208-230/460#190/380	V
Voltage	60	Hz
Frequency	B	
Design	K	
LR Code letter	1.15	°C
Service Factor	35	°C
Temp Rise @ FL	CON'T	
Duty	40	°C
Ambient	1,000	feet
Elevation	0.04	LB-Ft ²
Rotor/Shaft wk ²	ZT493 R6	
Ref Wdg	60	dB(A)
Sound Pressure @ 1M	NONE	
VFD Rating	B-104196LE-631	
Outline Dwg	A-EE7308T-1E	
Conn. Diag		
Additional Specifications:		
0		
EQUIV CKT (OHMS / PHASE)		
R1	R2	Xm
34.5720	24.0800	24.2920 675.9600
X1	X2	
36.5500		

